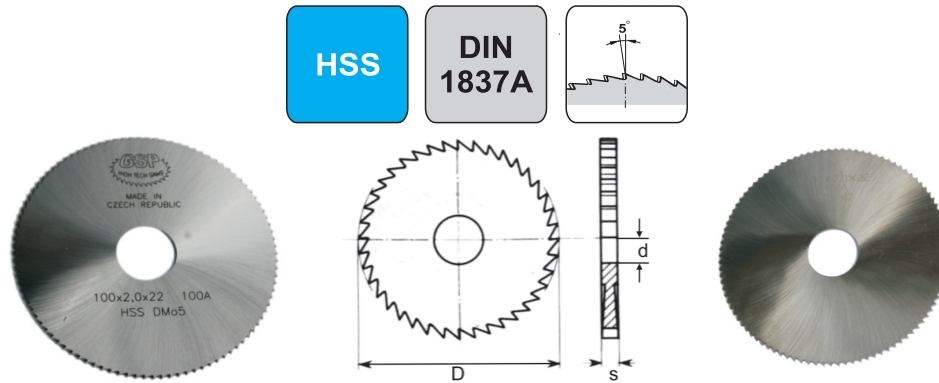


## METAL DAİRE TESTERE

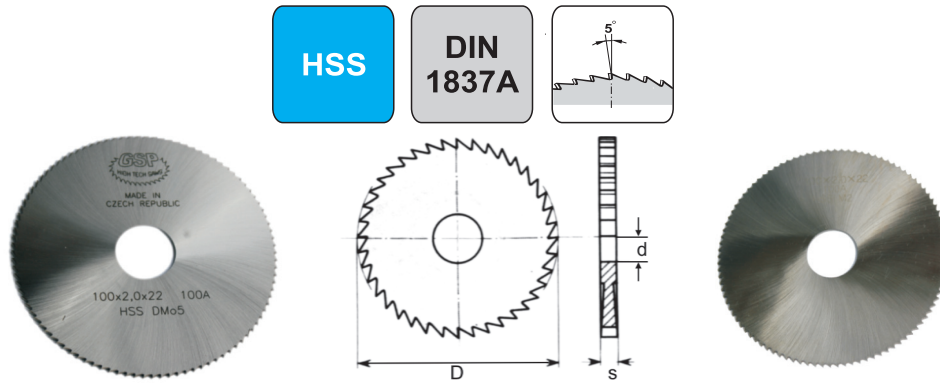
DIN 1837A



DxS (mm)	d (mm)	Z Diş sayısı	GSP	ZTM	DxS (mm)	d (mm)	Z Diş sayısı	GSP	ZTM
			FİYAT KODU	FİYAT KODU				FİYAT KODU	FİYAT KODU
25X0,4	8	48	12005	12046	50X1,5	13	64	12087	12128
25X0,6	8	48	12006	12047	50X1,6	13	64	12088	12129
25X1,0	8	48	12007	12048	50X2,0	13	64	12089	12130
25X1,2	8	48	12008	12049	50X2,5	13	64	12090	12131
25X1,5	8	48	12009	12050	50X3,0	13	48	12091	12132
25X1,6	8	48	12010	12051	50X4,0	13	48	12092	12133
25X2,0	8	48	12011	12052	50X5,0	13	48	12093	12134
32X1,0	8	48	12012	12053	63X0,2	10/13/16	128/200	12094	12135
32X1,2	8	48	12013	12054	63X0,25	13/16	150/200	12095	12136
32X1,5	8	48	12014	12055	63X0,3	10/13/16	128/200	12096	12137
32X1,6	8	48	12015	12056	63X0,4	10/13/16	128/200	12097	12138
32X2,0	8	48	12016	12057	63X0,5	13/16	128/200	12098	12139
32X4,0	8	32	12017	12058	63X0,6	16	100	12099	12140
32X5,0	8	32	12018	12059	63X0,7	16	100	12100	12141
40X0,2	10	128/160	12019	12060	63X0,8	16	100	12101	12142
40X0,25	10	100/160	12020	12061	63X0,9	16	100	12102	12143
40X0,3	10	100/160	12021	12062	63X1,0	16	100	12103	12144
40X0,4	10	128/160	12022	12063	63X1,2	16	100	12104	12145
40X0,5	10	80	12023	12064	63X1,5	16	80	12105	12146
40X0,6	10	80	12024	12065	63X1,6	16	80	12106	12147
40X0,7	10	80	12025	12066	63X2,0	16	80	12107	12148
40X0,8	10	80	12026	12067	63X2,5	16	64	12108	12149
40X0,9	10	80	12027	12068	63X3,0	16	64	12109	12150
40X1,0	10	64	12028	12069	63X3,5	16	64	12110	12151
40X1,2	10	64	12029	12070	63X4,0	16	64	12111	12152
40X1,5	10	64	12030	12071	63X5,0	16	48	12112	12153
40X1,6	10	64	12031	12072	63X6,0	16	48	12113	12154
40X2,0	10	48	12032	12073	80X0,3	22	160	12114	12155
40X2,5	10	48	12033	12074	80X0,4	22	160	12115	12156
40X3,0	10	48	12034	12075	80X0,5	22	128	12116	12157
50X0,2	13	128/200	12035	12076	80X0,6	22	128	12117	12158
50X0,25	13	128/200	12036	12077	80X0,7	22	128	12118	12159
50X0,3	10/13	128/160/200	12037	12078	80X0,8	22	128	12119	12160
50X0,4	13	100/200	12038	12079	80X0,9	22	128	12120	12161
50X0,5	13	100/200	12039	12080	80X1,0	22	100	12121	12162
50X0,6	13	100	12040	12081	80X1,2	22	100	12122	12163
50X0,7	13	100	12041	12082	80X1,4	22	100	12123	12164
50X0,8	13	80	12042	12083	80X1,5	22	100	12124	12165
50X0,9	13	80	12043	12084	80X1,6	22	100	12125	12166
50X1,0	13	80	12044	12085	80X2,0	22	80	12126	12167
50X1,2	13	80	12045	12086	80X2,5	22	80	12127	12168

METAL DAİRE TESTERE

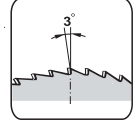
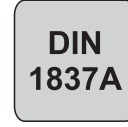
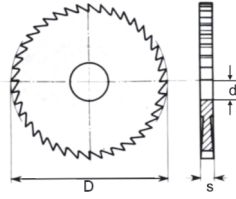
DIN 1837A



DxS (mm)	d (mm)	Z Diş sayısı	GSP	ZTM	DxS (mm)	d (mm)	Z Diş sayısı	GSP	ZTM
			FİYAT KODU	FİYAT KODU				FİYAT KODU	FİYAT KODU
80X3,0	22	80	12169	12203	160X1,0	32	160	12237	12271
80X3,5	22	80	12170	12204	160X1,2	32	80/100/160	12238	12272
80X4,0	22	64	12171	12205	160X1,4	32	80	12239	12273
80x5,0	22	64	12172	12206	160X1,6	32	80/100/160	12240	12274
80x6,0	22	64	12173	12207	160X2,0	32	128	12241	12275
100X0,5	22	160	12174	12208	160X2,5	32	128	12242	12276
100X0,6	22	160	12175	12209	160X3,0	32	128	12243	12277
100X0,7	22	160	12176	12210	160X3,5	32	64/128	12244	12278
100X0,8	22	128	12177	12211	160X4,0	32	64/100	12245	12279
100X0,9	22	128	12178	12212	160X5,0	32	100	12246	12280
100X1,0	22	128	12179	12213	160X6,0	32	100	12247	12281
100X1,2	22	128	12180	12214	200X1,0	32	100/200	12248	12282
100X1,5	22	128	12181	12215	200X1,2	32	100/200	12249	12283
100X1,6	22	100	12182	12216	200X1,5	32	160/200	12250	12284
100X2,0	22	100	12183	12217	200X1,6	32	100/160/200	12251	12285
100X2,5	22	100	12184	12218	200X2,0	32	80/160	12252	12286
100X3,0	22	80	12185	12219	200X2,5	32	160	12253	12287
100X3,5	22	80	12186	12220	200X3,0	32	128	12254	12288
100X4,0	22	80	12187	12221	200X3,5	32	128	12255	12289
100X5,0	22	80	12188	12222	200X4,0	32	128	12256	12290
100X6,0	22	64	12189	12223	200X4,5	32	128	12257	12291
125X0,6	22/27	160	12190	12224	200X5,0	32	128	12258	12292
125X0,8	22/27	160	12191	12225	200X6,0	32	100	12259	12293
125X1,0	22/27	160	12192	12226	250X2,0	32	200	12260	12294
125X1,2	22/27	128	12193	12227	250X2,5	32	160/200	12261	12295
125X1,5	22/27	128	12194	12228	250X3,0	32	160/200	12262	12296
125X1,6	22/27	128	12195	12229	250X4,0	32	160	12263	12297
125X2,0	22/27	64/128	12196	12230	250X5,0	32	160	12264	12298
125X2,5	22/27	64/100	12197	12231	275X3,0	32	160	12265	12299
125X3,0	22/27	100	12198	12232	275X4,0	32	160	12266	12300
125X3,5	22/27	100	12199	12233	275X5,0	32	160	12267	12301
125X4,0	22/27	100	12200	12234	300X3,0	32	160	12268	12302
125X5,0	22/27	80	12201	12235	300X4,0	32	160	12269	12303
125X6,0	22/27	80	12202	12236	300X5,0	32	160	12270	12304

## KARBÜR DAİRE TESTERELER

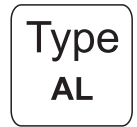
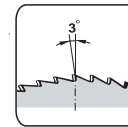
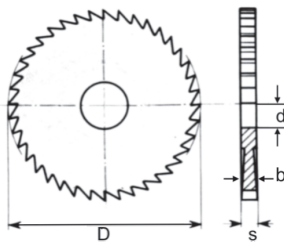
DIN 1837A



DxS (mm)	d (mm)	Z Diş sayısı	ZTM
			C702
			FİYAT KODU
30x0,5	10	80	12305
30x0,6	10	80	12306
30x0,7	10	80	12307
30x0,8	10	80	12308
30x0,9	10	80	12309
30x1,0	10	64	12310
30x1,2	10	64	12311
30x1,5	10	64	12312
30x1,6	10	64	12313
30x2,0	10	48	12314
30x2,5	10	48	12315
30x3,0	10	48	12316
40x0,2	10	128	12317
40x0,3	10	100	12318
40x0,4	10	100	12319
40x0,5	10	80	12320
40x0,6	10	80	12321
40x0,7	10	80	12322
40x0,8	10	80	12323
40x1,0	10	64	12324
40x1,2	10	64	12325
40x1,5	10	64	12326
40x1,6	10	64	12327
40x2,0	10	48	12328
40x2,5	10	48	12329

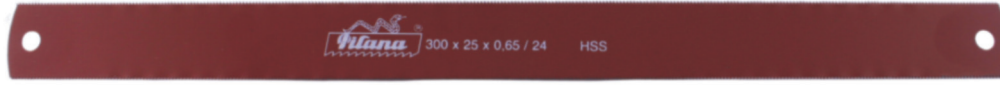
DxS (mm)	d (mm)	Z Diş sayısı	ZTM
			C702
			FİYAT KODU
40x3,0	10	48	12330
50x1,0	13	80	12331
50x1,5	13	64	12332
50x2,0	13	64	12333
50x2,5	13	64	12334
50x3,0	13	48	12335
63x1,0	16	100	12336
63x1,5	16	80	12337
63x2,0	16	64	12338
63x2,5	16	64	12339
63x3,0	16	64	12340
63x3,5	16	64	12341
80x1,0	22	100	12342
80x1,5	22	100	12343
80x2,0	22	80	12344
80x2,5	22	80	12345
80x3,0	22	80	12346
80x3,5	22	80	12347
100x1,0	22	128	12348
100x1,5	22	128	12349
100x2,0	22	100	12350
100x2,5	22	100	12351
100x3,0	22	80	12352
100x3,5	22	80	12353

## TCT (ELMAS UÇLU) ALUMİNYUM İÇİN DAİRE TESTERE



DxS (mm)	b (mm)	d (mm)	Z (mm)	KRASNIC
				C701
				FİYAT KODU
250x2,4	2,4	30	60/80	12354
300x2,4	2,4	30	72/96	12355
350x2,6	2,6	30	84/108	12356
400x2,8	2,8	32	120	12357
420x3,2	3,2	32	128	12358
450x3,2	3,2	32	128	12359


## EL TESTERE LAMASI



BOY (mm)	EN (mm)	KALINLIK (mm)	Z Diş sayısı		ZTM
				PLANA	C705
				HSS	HSS
				FİYAT KODU	FİYAT KODU
300	13	0,60	18	12360	12366
300	13	0,60	24	12361	12367
300	25	0,65	18	12362	12368
300	25	0,65	24	12363	12369
300 Cr	25	0,80	18	12364	12370
300 Cr	25	0,80	24	12365	12371

## MAKİNA TESTERE LAMASI



BOY (mm)	EN (mm)	KALINLIK (mm)	Z Diş sayısı		ZTM
				PLANA	C705
				HSS	HSS
				FİYAT KODU	FİYAT KODU
300	25	1,60	6	12372	12388
300	25	1,60	8	12373	12389
350	32	1,60	6	12374	12390
350	32	1,60	8	12375	12391
400	32	1,60	6	12376	12392
400	32	1,60	8	12377	12393
450	32	1,60	6	12378	12394
450	32	1,60	8	12379	12395
500	40	2,00	6	12380	12396
500	40	2,00	8	12381	12397
600	50	2,00	6	12382	12398
600	50	2,00	8	12383	12399
650	50	2,00	6	12384	12400
650	50	2,00	8	12385	12401
700	50	2,00	6	12386	12402
700	50	2,00	8	12387	12403